

## Switchgear set ZB-68



Switchgear set type ZB-68 is an electrical device designed for use in underground mining pits in non-explosion hazard conditions and on the ground in non-explosive hazard conditions.

Switchgear set ZB-68 comprises of four switchgear units type RKS4-1P/2R and one type RKS3-2RP/42R and of control cabinet type SA-P2RW, mounted in a common structure.

Switchgear set ZB-68 is designed for connecting and switching-on receivers (especially conveyor belts) to the mine 3-phase grid with insulated star point on the transformer (system IT) for rated voltage of 500V.

### TECHNICAL DATA:

ingress protection	IP54
rated voltage of main circuits insulation	660 V
rated voltage of auxiliary circuits insulation	250 V
rated supply voltage	500V, 50 Hz
maximum load current of 500V outlets	250/32A
number of 500V outlets	2-5
set dimensions	2000 x 3000 x 300mm (H x W x D)
set weight	550kg

## CONSTRUCTION

The switchgear is manufactured from steel sheets. The whole is placed on the common carrier frame. Frame can be placed directly on the ground.

## MODE OF OPERATION

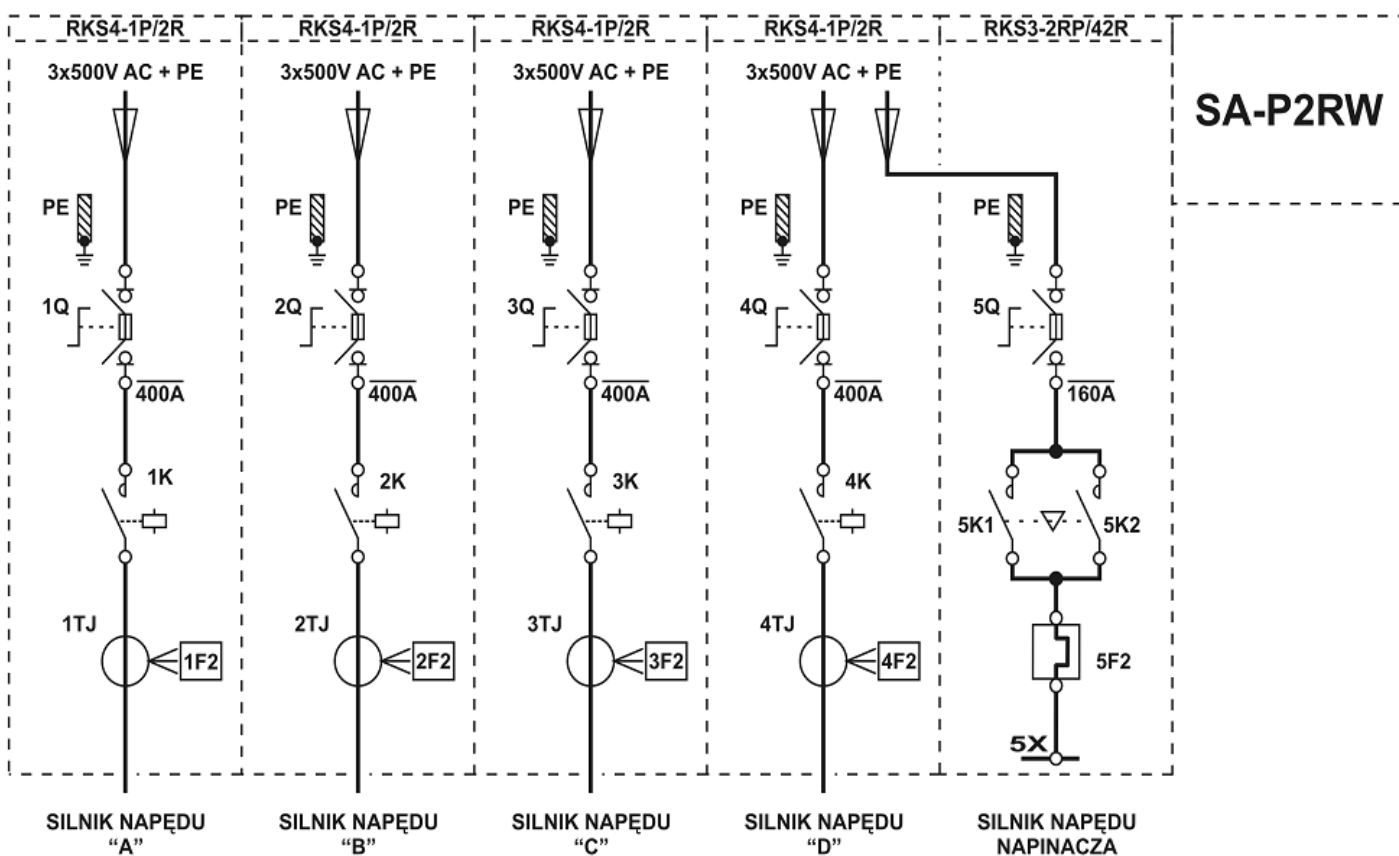
The control of 500V outlets in set ZB-68 is carried out with the controller in cabinet SA-P2RW.

## SCHEMATIC DIAGRAM

### Legend:

Silnik napędu A,B,C,D – The motor drive A,B,C,D

Silnik napędu napinacza – The motor drive of tensioner



Orders should be submitted in writing or by fax to the address:

 **Instal-Service PL**

Spółka z ograniczoną odpowiedzialnością  
Spółka komandytowa

58-506 Jelenia Góra, ul. Wrocławska 15a

tel. (+48 075) 64-57-950

fax. (+48 075) 64-57-951

e-mai: instal@instal-service.pl